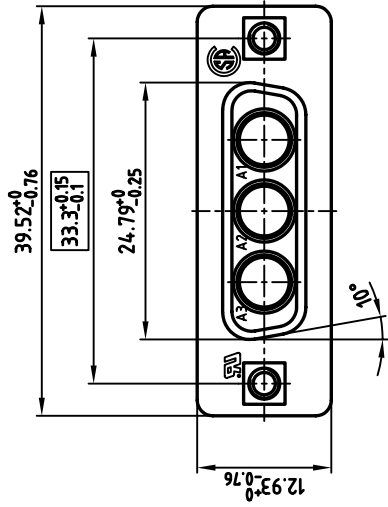
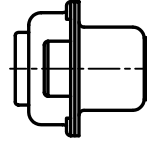
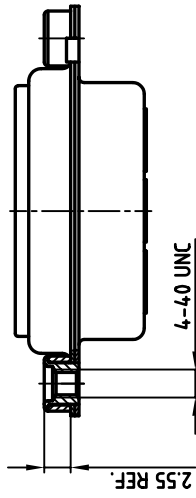
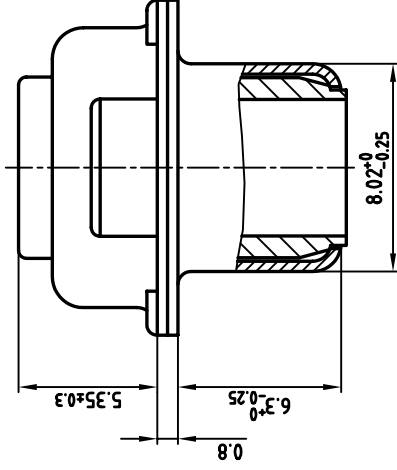


used for: D-SUB COMBINATION



5:1



NOTES:

1. METALSHELLS: STEEL, min. 320µ" TIN
2. INSULATORS: PBT GF UL 94 V-0, GREEN
3. THREADED INSERT: COPPER ALLOY; min. 200µ" TIN over 80µ" NICKEL
4. COLLAR: COPPER ALLOY; min. 200µ" TIN over 80µ" NICKEL
5. MAXIMUM TORQUE VALUE FOR THREAD: 6" LBS
6. = CRITICAL DIMENSION: SPC



THIS DRAWING MAY NOT BE COPIED OR REPRODUCED IN ANY WAY, AND MAY NOT BE PASSED ON TO A THIRD PARTY WITHOUT WRITTEN PERMISSION.
 OWNERSHIP AND COPYRIGHT OF CONEC GMBH
 DO NOT ALTER CAD DRAWING BY HAND

rev.	description	date	name

tolerance		2:1 (5:1)	
material:		SEE NOTES	
title:		D-SUB COMBINATION FEMALE	
name		3W3S	
drawn	26.09.	E. Mickenbecker	with threaded insert
appd.	26.09.	J. Parrel	
norm			
e-old			

dwg no:		AutoCAD 2000	
part no:		13K1A348A	
sh: 1/1		3	
part no:		3003W3SXX99A30X	

